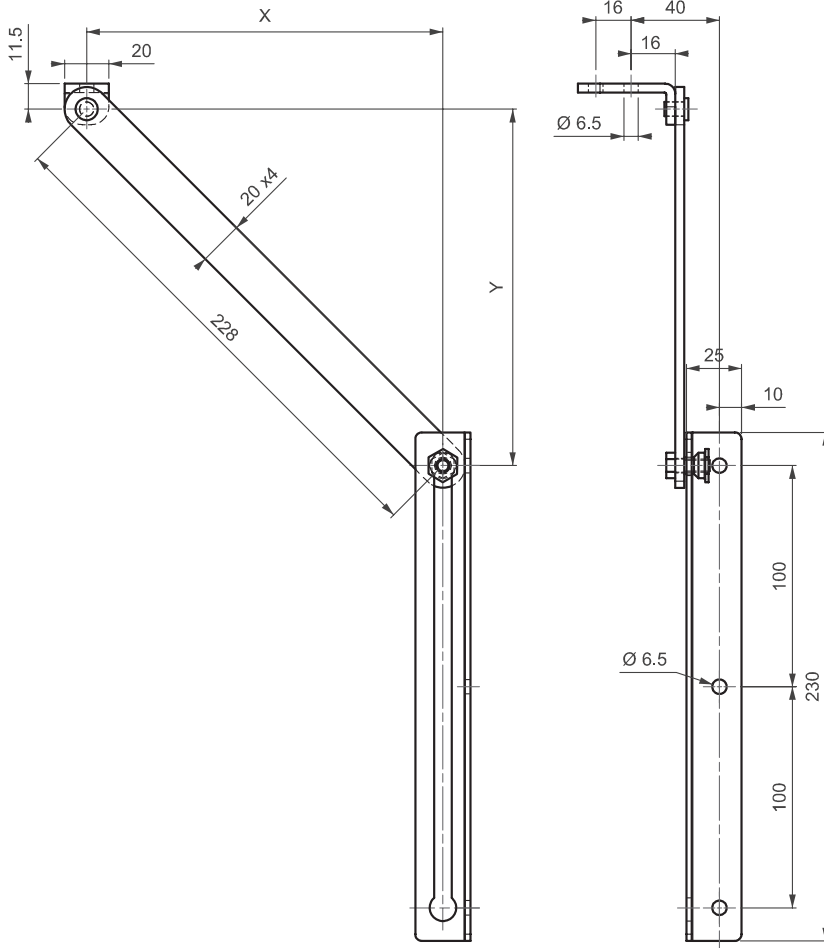


179

COVER STAY



Installation dimensions

OPENING ANGLE	DIMENSIONS		MINIMAL DOOR WIDTH
	X	Y	
140°	140	180	403
120°	120	166	389
110°	110	150	373
100°	100	146	369

For other configurations:
y= X+ min.40

PRODUCT CODE

179 - 6 - 3

GROUP CODE MATERIAL FINISH



- Stainless steel version: page 481
- Cover Stay with automatic lock to keep the door open
- LH and RH application is possible

APPLICATIONS

Electric panels, machinery covers

MATERIAL

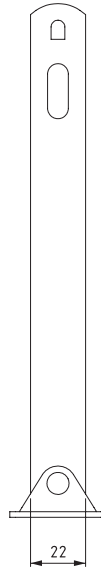
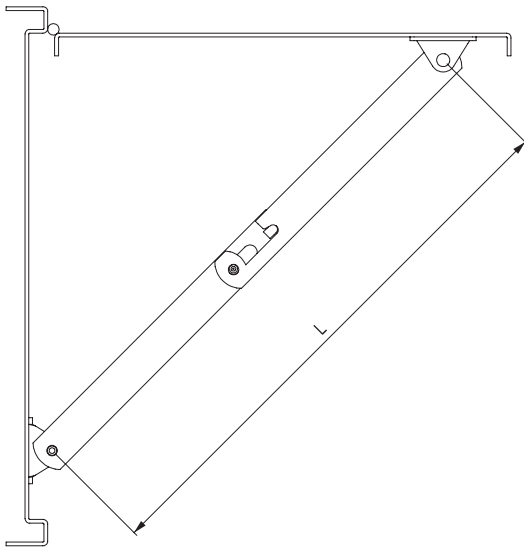
Steel

FINISH

Zinc plated

279

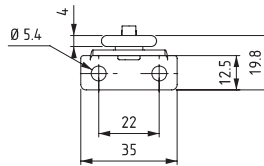
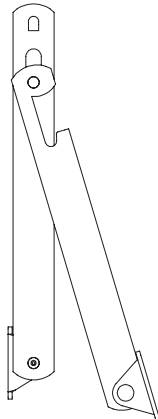
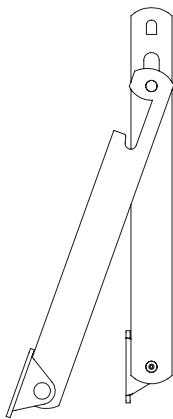
COVER STAY



- Stainless steel version: page 479
- Suitable for heavy-duty applications
- Manufactured using 4 mm thick steel

LEFT

RIGHT

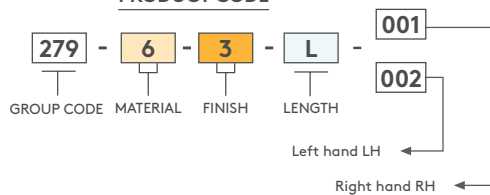


Lmm
292
202
135

MATERIAL
Steel

FINISH
Zinc plated

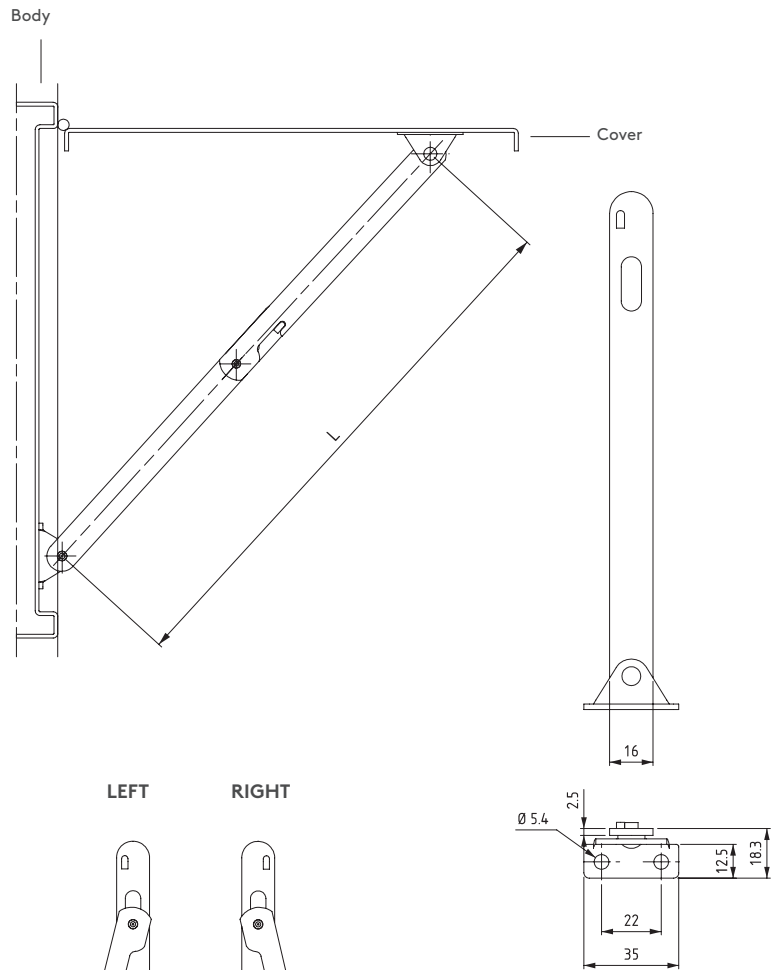
PRODUCT CODE



ACCESSORIES

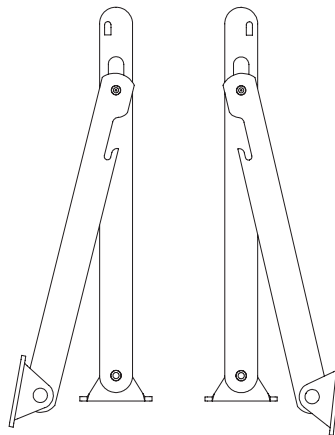
COVER STAY

079



LEFT

RIGHT



Lmm
292
202
135

APPLICATIONS

Electric panels, machinery covers

MATERIAL

Steel

FINISH

Zinc plated

• Stainless steel version: page 480

PRODUCT CODE

