

ACCESSORIES

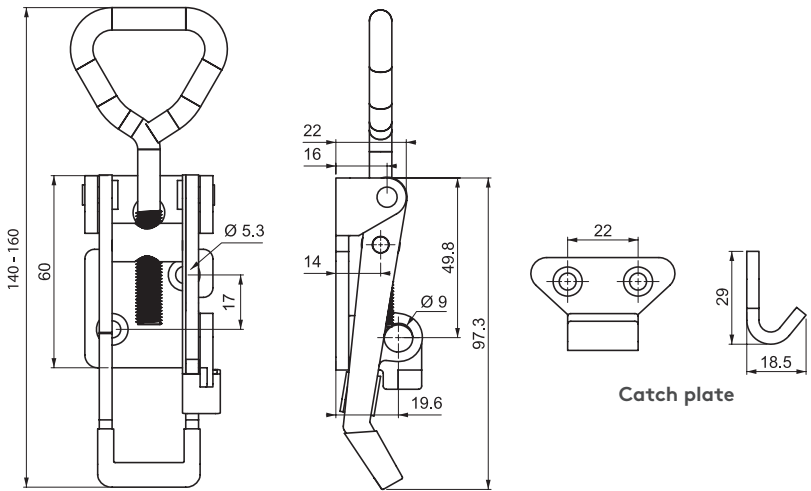
TOGGLE LATCH

340.00.135



- Adjustable type draw latch.
- Padlockable version
- Used with a special catch plate

MATERIAL AND FINISH
Steel - Zinc Plated



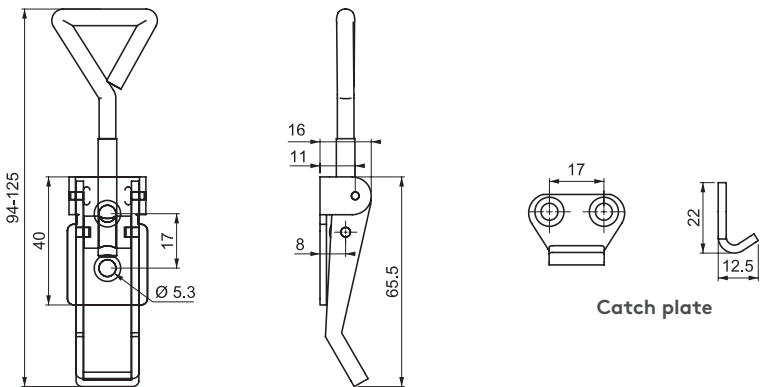
TOGGLE LATCH

340.00.133



- Used for tool boxes, cabinets

MATERIAL AND FINISH
Steel - Zinc Plated



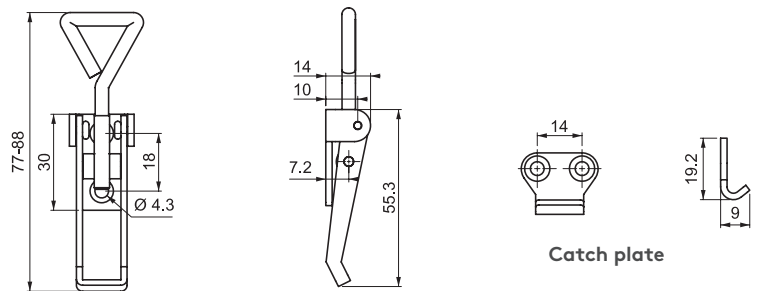
TOGGLE LATCH

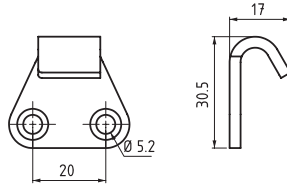
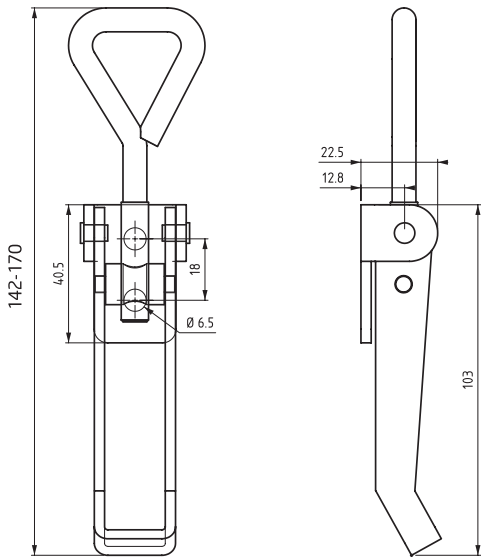
340.00.131



- Used for tool boxes, cabinets

MATERIAL AND FINISH
Steel - Zinc Plated

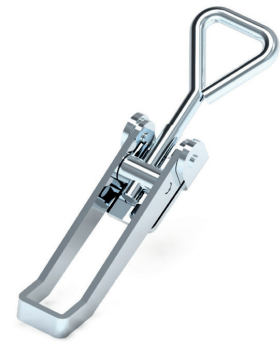




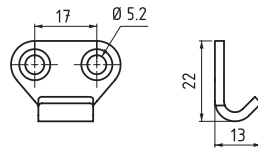
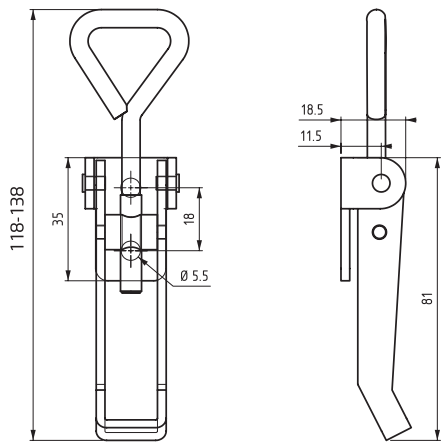
Catch plate

2702

TOGGLE LATCH



MATERIAL AND FINISH
Steel -Zinc Plated



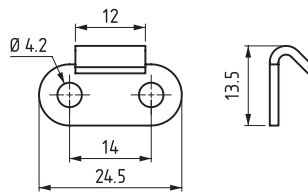
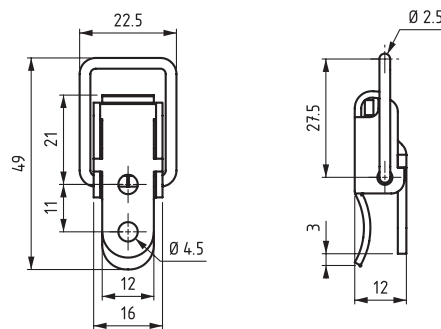
Catch plate

2701

TOGGLE LATCH



MATERIAL AND FINISH
Steel -Zinc Plated



Catch plate

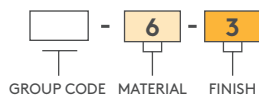
2700

TOGGLE LATCH



MATERIAL AND FINISH
Steel -Zinc Plated

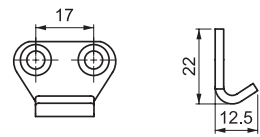
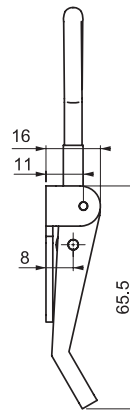
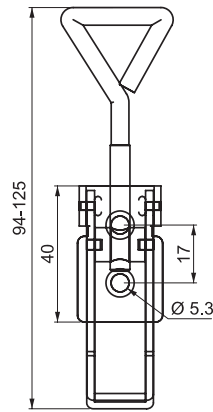
PRODUCT CODE



STAINLESS STEEL PRODUCTS

TOGGLE LATCH

340.00.134



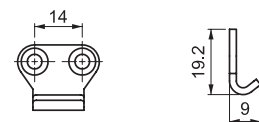
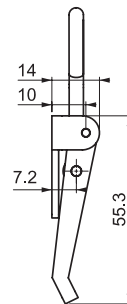
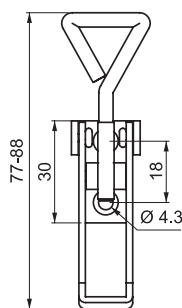
Catch plate

- Used for: tool boxes, cabinets, ships, agriculture and material equipments

MATERIAL
Stainless Steel (AISI 304)

TOGGLE LATCH

340.00.132



Catch plate

- Used for: tool boxes, cabinets, ships, agriculture and material equipments

MATERIAL
Stainless Steel (AISI 304)

For other materials please check:
page 404