

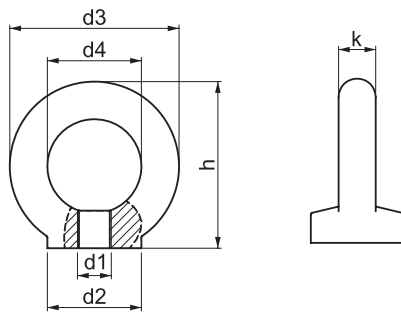
d1	Safety Load (90°)	d2 mm	d3 mm	d4 mm	h mm	L mm	Unit weight	PRODUCT CODE
M8	140	20	36	20	49.0	13.0	0.06	2451
M10	230	25	45	25	63.0	17.0	0.10	2452
M12	340	30	54	30	73.5	20.5	0.18	2453
M14	490	35	63	35	87.0	27.0	0.28	2454
M16	700	35	63	35	89.0	27.0	0.28	2455

EYEBOLT



- Enable enclosure or machine to be moved easily.

EYEBOLT

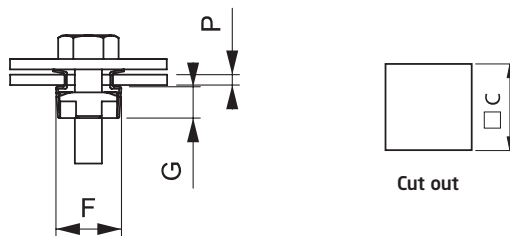


d1	Safety Load (90°)	d2 mm	d3 mm	d4 mm	h mm	k mm	Unit weight	PRODUCT CODE
M8	140	20	36	20	36	8	0.06	2461
M10	230	25	45	25	45	10	0.09	2462
M12	340	30	54	30	53	12	0.16	2463



- Enable enclosure or machine to be moved easily.

CAGE NUT



- Designed for attaching two steel plates

Screw	Nut	P	G	F	C	PRODUCT CODE
M5	11x11x4.5	1.7 ~ 2.5	6	12,2	6	2400
M6	11x11x4.5	25	6	12,2	9	2401
M8	14x14x5.5	3.3 ~ 4.1	7,8	16,6	12	2402